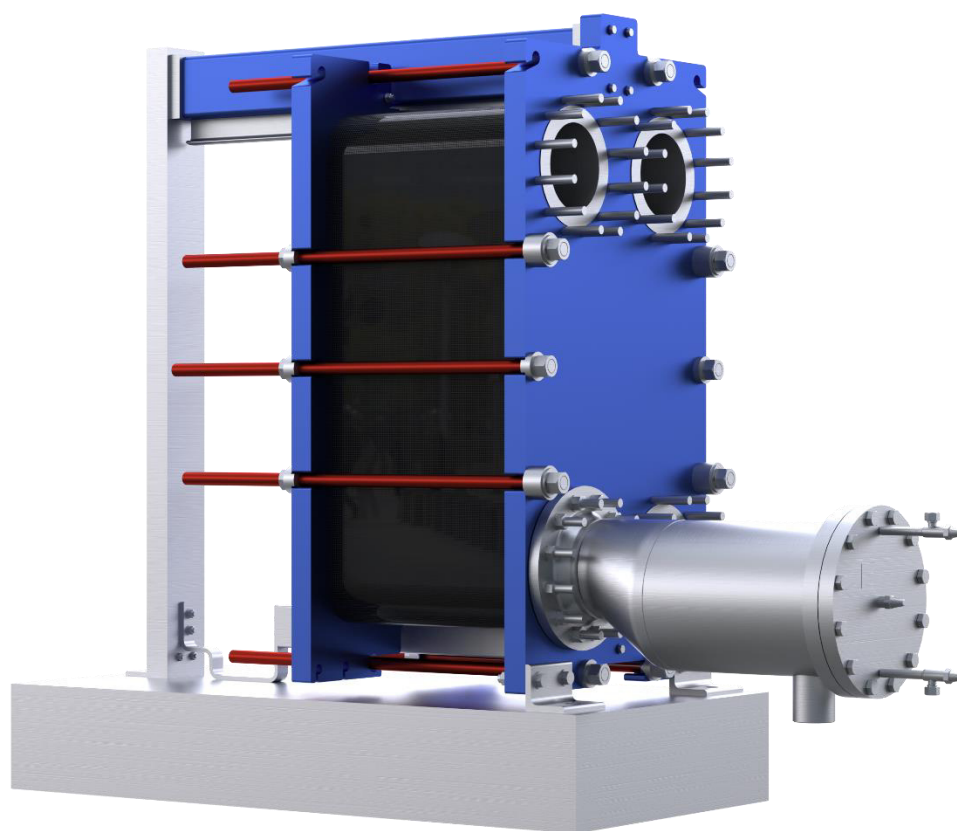


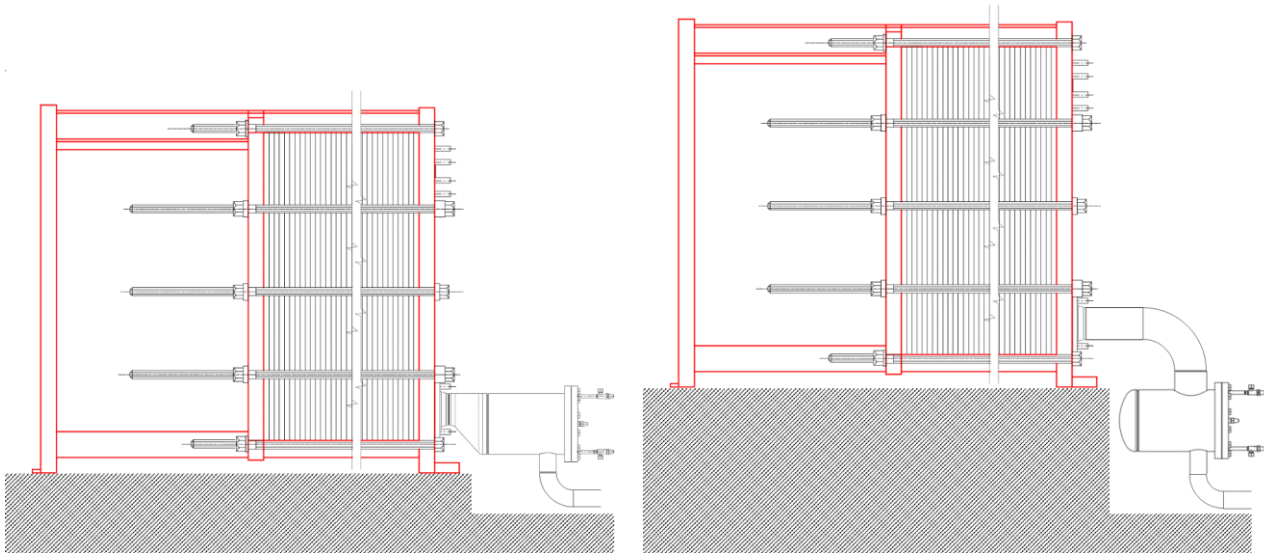
# HS F

## flangable highside float regulator



## HS – highside float regulator as flangable version

In compact refrigeration systems or skids, capacity and size are two factors that are not always in harmony. We have therefore optimized the already established high-pressure float regulator types HS 30 and HS 40 for direct mounting on plate heat exchangers. Instead of a simple inlet nozzle on top of the housing, the HS can now be ordered with a matching flange on the housing side.



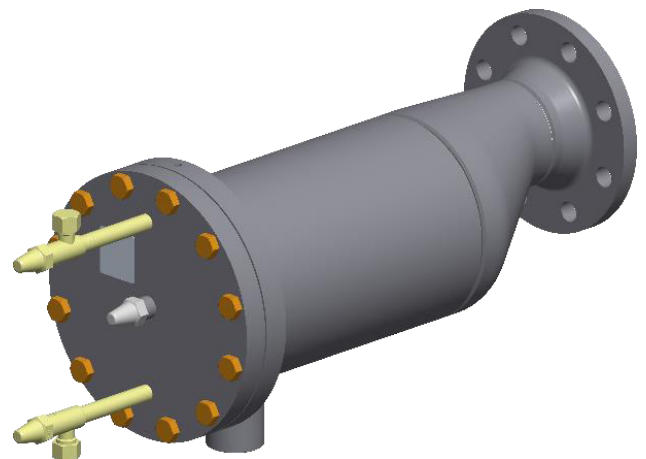
with flange

with inlet nozzle

The high-pressure float regulator has been developed exclusively to meet the needs of the refrigeration industry. With its self-regulating mechanical operation, it is the lowest maintenance and most efficient way to expand condensed refrigerant. In addition, WITT high pressure float regulators replace the need for a high-pressure receiver due to their housing size.

The flange sizes DN 100, DN 150 and DN 200 were chosen in order to be able to use almost all plate condensers available in industrial refrigeration with a flanged float.

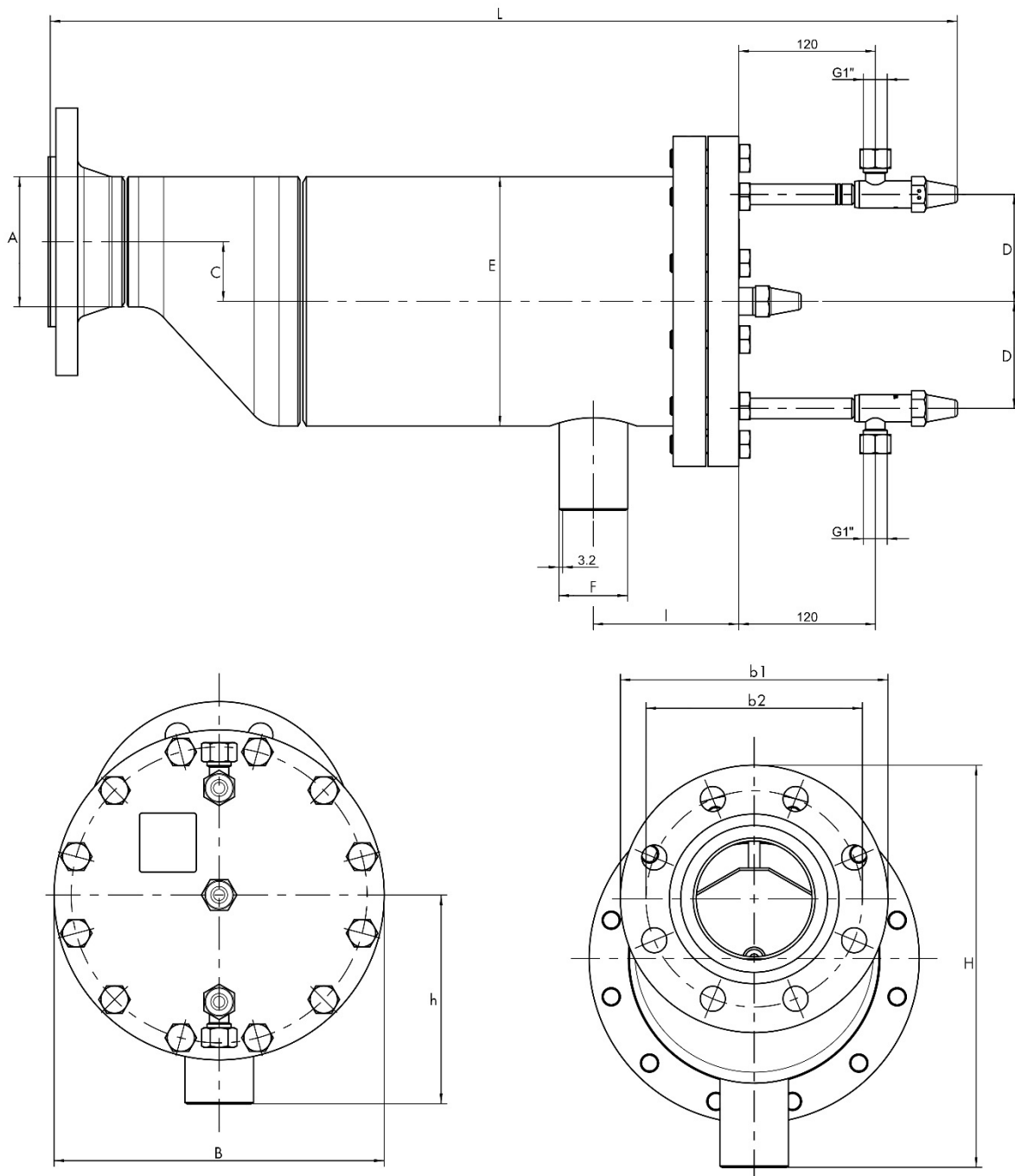
The functionality of the control unit remains unaffected by the modification to the housing and can still be individually designed to meet your requirements.



### Summary

- \* Modular housing and control unit
- \* Low maintenance
- \* Mechanical and efficient
- \* Durable and established
- \* Receiver and expansion in one

## Dimensions



	L (~)	B	H (~)	Ø A	C	D	Ø E	Ø F	l	h	b1	b2
<b>HSF 30-100</b>	797	290	353	114,3	52,4	94	219,1	60,3	128	184	235	190
<b>HSF 30-150</b>	807	290	359	168,3	25,4	94	219,1	60,3	128	184	300	250
<b>HSF 40-150</b>	951	400	483	168,3	77,8	147	323,9	88,9	158	255	300	250
<b>HSF 40-200</b>	956	400	487	219,1	52,4	147	323,9	88,9	158	255	360	310

all figures in mm



## **TH. WITT Kältemaschinenfabrik GmbH**

Lukasstraße 32  
52070 Aachen | Germany

**+49 241 18208-0 | [sales@th-witt.com](mailto:sales@th-witt.com)**